

WWW.VSIVALVE.COM



ECCENTRIC PLUG VALVE

WEISI VALVE CO.,LTD



ADVANCED FULL PORT ECCENTRIC PLUG VALVE

Full port design of our EP series plug valves provide a 100% pipeline opening area and high flow capacity. Rectangular opening and eccentric plug design provide positive shut off with wear resistant action and low torque. Without need for exact alignment, plug shut-off position has wider tolerances and reliable seat. See below picture.



100% RECTANGULAR PORT OPENNING
PROVIDES HIGH FLOW CAPACITY



LONGER LIFE AND LESS MAINTENANCE



Welded Nickel/SS Seat Surface Provides Protection for Corrosion Damage of the Plug Face.

The seat surface is welded with 95% pure Nickel or stainless steel 316. This will help to protect the plug face from being damaged by corrosion of the seat surface. The raised seat surface ensure the plug rubber face only contact with the Nickel or Stainless Steel. This can prolong the life of the rubber encapsulated

Heavy Duty Construction

Rugged construction and advanced design features maximize the valve performance and extend service life to provide reliability at the lowest possible usage cost.



One Piece Ductile Iron Plug with Full Rubber Encapsulation Provide Extended Plug Life.

One piece casted ductile iron plug provides added strength and best journal alignment. The plug is rotated out of the flow path when the valve opens, this will extend plug life. Fully rubber encapsulated plug face provides dead-tight shutoff without using sealing lubricants. Resilient plug design also provides bi-directional seal with the full rated fluid pressure.



'OPEN WINDOW' YOKE DESIGNED FOR EASY ADJUSTMENT OF PACKINGS.

There are two opened windows on the yoke for adjusting the packing gland without moving the actuator. This could save the cost of fixing the valves on site and ensure a longer life of sealing. For underground applications, the windows will be closed to protect the packings.

V-type Packing

Field adjustable V-type packing rings ensure a reliable seal and maintenance free for most applications.

Full Top Access Cover

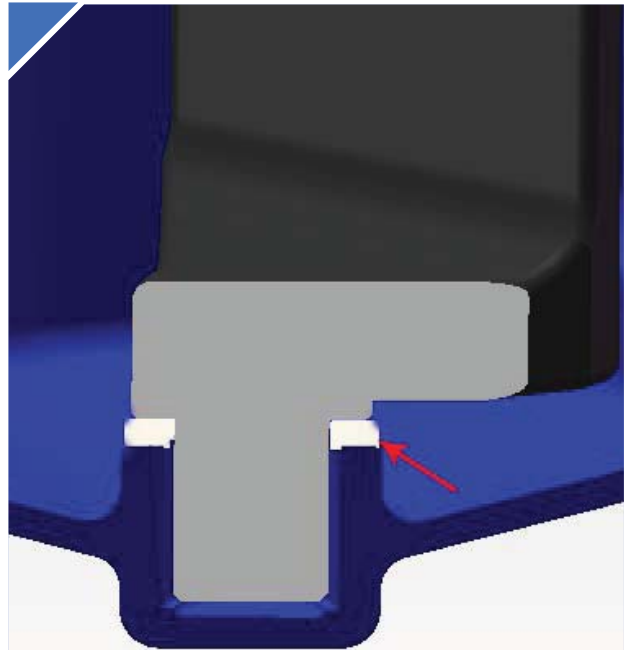
Allows inspection or maintenance without removing the valve from the line.

Corrosion Resistant Bearings

Heavy duty stainless steel 316 bearings are permanently lubricated. And used in both up and bottom journals.

Corrosion Resistant Coatings

Various corrosion resistant coatings are available upon request. Coating thickness can be determined by applications.



GRIT PREVENTERS EXTEND PACKING AND BEARING LIFE BY MINIMIZING CONTACT WITH ABRASIVE LINE MEDIA

WIDE RANGE OF SIZES, PRESSURES, MATERIALS

We offer from 4inch (DN100) to 72inch (DN1800) eccentric plug valves in pressure rating 150/250 class (PN10/PN16) and various materials to choose upon customers' requests or application needs.



VSI 48inch (DN1200) Full Port Eccentric Plug Valve

SUITABLE FOR VARIOUS APPLICATIONS



1 Water Treatment Plant



2 Water Distribution System



3 Mining



4 Sewage Treatment Plant

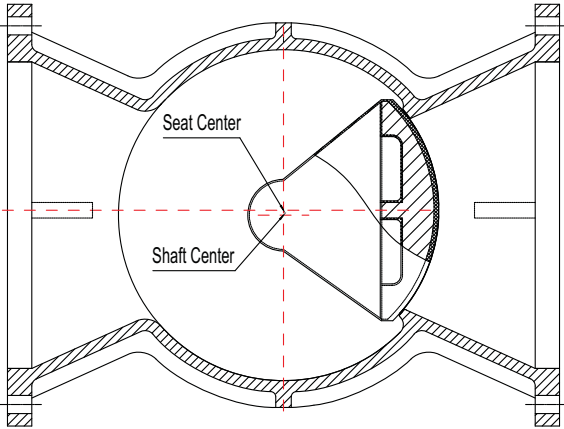
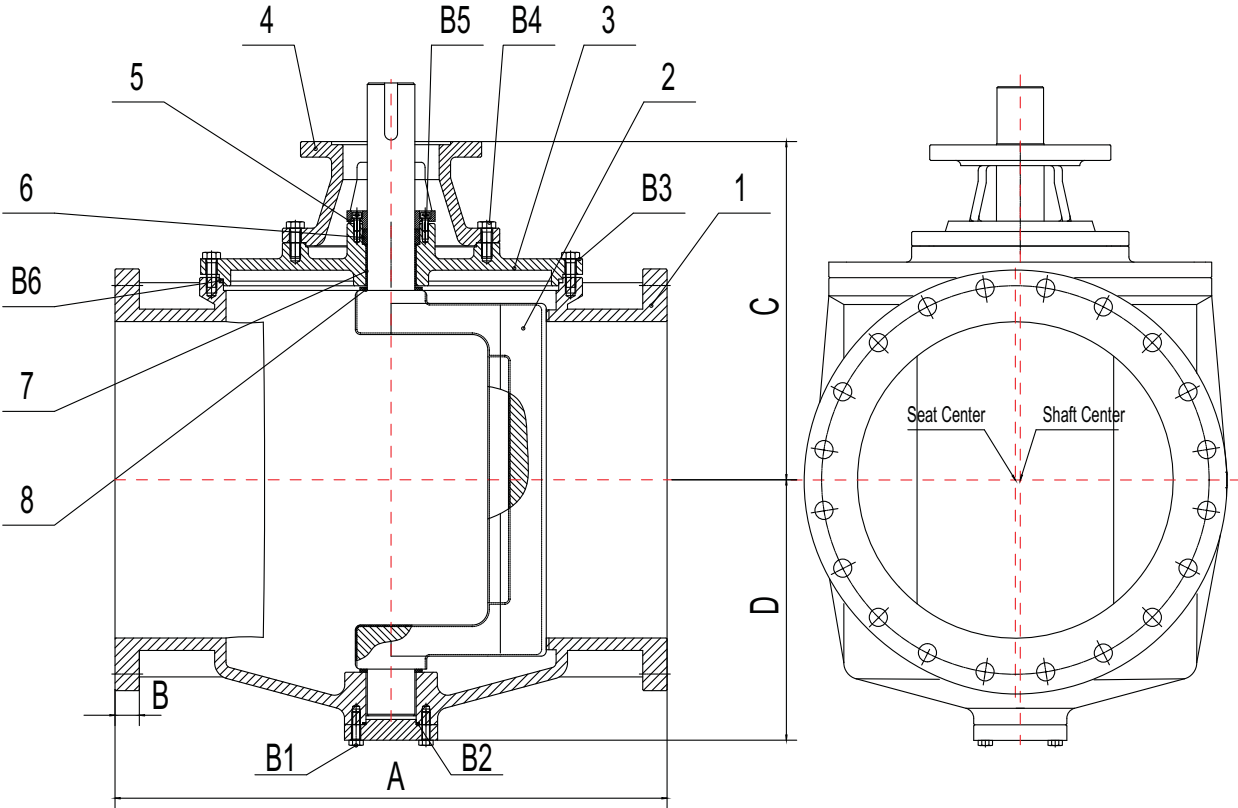


5 Petro-Chemical



6 Power Plant

PRODUCT DRAWING



DIMENSIONS

Main Dimensions (mm)						
Valve Sizes	A		B		C	D
	Flange	MJ	Flange	MJ		
4"	228	362	17	63	220	36
6"	266	400	19	63	270	165
8"	292	441	20	63	312	209
10"	330	492	22	63	354	261
12"	355	527	23	63	386	296
14"	431	622	25	89	426	329
16"	450	692	27	89	454	363
18"	546	743	28	89	486	399
20"	596	787	30	89	537	437
24"	1067	1067	47	89	562	465
30"	1295	1524	54	101	646	556
36"	1524	1524	60	101	715	630
42"	1829	1879	67	101	890	794
48"	2134	2134	71	101	1151	1016
54"	2438	-	78	-	1151	1016
66"	2921	-	87	-	1371	1257
72"	3175	-	90	-	1360	1257

For other sizes, please contact factory for information.

MATERIAL OF CONSTRUCTION

Bill of Material		
Item	Description	Material
1	Body	Ductile Iron ASTM A536 Grade 65-45-12
2	Plug	Ductile Iron ASTM A536 Grade 65-45-12 + Buna-N
3	Cover	Ductile Iron ASTM A536 Grade 65-45-12
4	Yoke	Ductile Iron ASTM A536 Grade 65-45-12
5	Packing Gland	Ductile Iron ASTM A536 Grade 65-45-12
6	Packing	EPDM
7	Bushing	Nylon + PTFE
8	Gasket	PTFE
B1	Hex Bolt	Stainless Steel Type 304
B2	O ring	EPDM
B3	Hex Bolt	Stainless Steel Type 304
B4	Hex Bolt	Stainless Steel Type 304
B5	Inner Hex Bolt	Stainless Steel Type 304
B6	O ring	EPDM

Note: Other materials are available upon request.

WWW.VSIVALVE.COM



CONSTANTLY IMPROVING...

WEISI VALVE CO.,LTD (CHINA)

ADD: NO.277 SHENGLI ST.
DANDONG, LIAONING, CHINA
TEL: 86-415-6222577
FAX: 86-415-6222577
EMAIL: VSICHINA@126.COM

VALVE SOLUTIONS,INC (U.S.)

ADD: 1155 ALPHA DR,ALPHARETTA,
GA, UNITED STATES
TEL: 1-770-740-0800
FAX: 1-770-740-8777
EMAIL: SALES@VSIWATERWORKS.COM